

FOUR WAY

HAND PALLET TRUCK

The Raymond 4-way hand pallet trucks allow the operator to handle 4-way entry pallets easily in all four directions for maximization of warehouse space and trailer load density. Use the pallet truck to easily move pallets with 4-way entry; with a unique design, the forks fit into the side openings of 4-way pallets for greater versatility in your application.



STANDARD SPECIFICATIONS:

- Capacity: 5,000 lbs
- Fork OAW: 33"
- Fork width: 6"
- Fork length: 48"
- Fork height (lowered): 1.75" or 2"

Options/Configurations

- 4-way (2" lowered fork height)
- Ultra-low 4-way (1.75" lowered fork height)
- Load wheel material

FOR ORDERS OR INQUIRIES CALL 1.800.558.6012 OR EMAIL HPTORDERS@RAYMONDCORP.COM

If you're looking for a partner with the tools and experience to help you run better and manage smarter, contact us today at 1-800-235-7200 or visit us at raymondcorp.com.

RAYMOND

FOUR WAY HAND PALLET TRUCK

PRODUCTIVITY

Low profile forks are perfect for moving pallets or skids with low clearance openings

DURABILITY

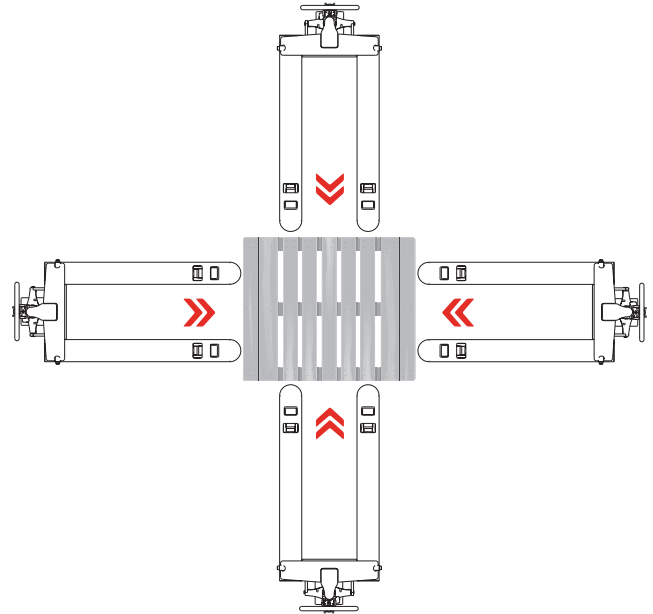
The Four Way has a durable and rugged leak-proof cast hydraulic pump. And the powder coat finish can withstand harsh environments.

ERGONOMICS

Fingertip controls provide convenient access to lift, lower, and neutral positions.

FLEXIBILITY

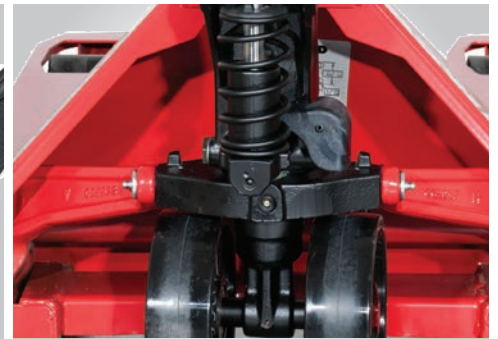
By design, the Four Way can access 4-way pallets from the front or side.



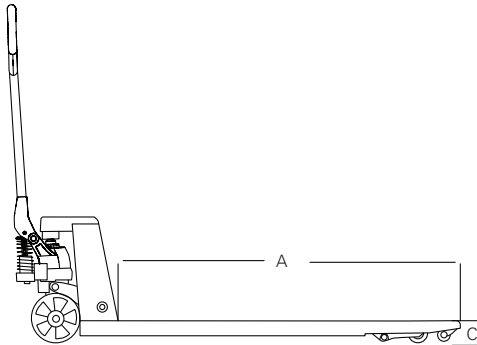
Fingertip controls provide convenient access to lift, lower and neutral.



Simplified pump assemblies use fewer parts and feature uniquely packed seals.



Bushings feature easily accessible grease fittings.



***Fork Lengths (A):**
48"



***Fork Width (B):**
33"

***Fork Heights (C):**
4-Way = 2" Ultra Low = 1.75"