

POWER START PLUS

HAND PALLET TRUCK

The Raymond PST Plus Motorized Hand Pallet Trucks provide the rugged dependability of a Raymond hand pallet truck with the convenience and easy maneuverability of a powered hand pallet truck. The electric motor is easily activated and deactivated via two push buttons on the handle. Giving the operator the ability to steer without pulling the load makes this the ideal hand truck for supermarkets, hospital corridors and distribution warehouses.



STANDARD SPECIFICATIONS:

- Capacity: 2,200 lbs
- Fork OAW: 20.5", 27"
- Fork width: 6.25"
- Fork length: 36", 42", 48"
- Fork height (lowered): 2.9"



FOR ORDERS OR INQUIRIES CALL 1.800.558.6012 OR EMAIL HPTORDERS@RAYMONDCORP.COM

If you're looking for a partner with the tools and experience to help you run better and manage smarter, contact us today at 1-800-235-7200 or visit us at raymondcorp.com.

RAYMOND

POWER START PLUS HAND PALLET TRUCK

PRODUCTIVITY

With its two speeds, operators are sure to gain productivity throughout the day, when compared to a traditional, non-motorized hand pallet jack. The power start technology, with a top speed of just under 3 mph, allows the operator to work quickly.

DURABILITY

Engineered with grease fittings and a rugged pump, the Power Start Plus is designed to keep your workflow moving.

ERGONOMICS

Pushbutton controls allow the truck to travel forward and backwards. Smooth acceleration allows for controlled operation.

FLEXIBILITY

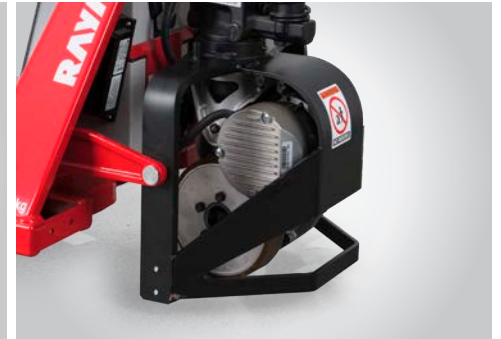
Two speed operation allows operators to work at a comfortable pace.



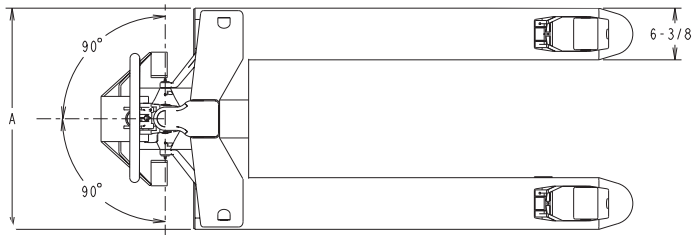
Push button controls allow the truck to travel forward and backwards



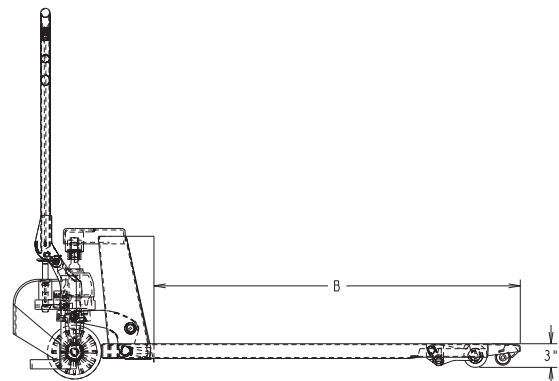
One-piece leak-proof cast hydraulic pump



Electric motor provides travel speed of up to 2.8 mph.



***Overall Width (A):**
20.5", 27"



***Overall Lengths (B):**
36", 42", 48"

**Not all widths are available in all fork lengths. For available configurations contact hptorders@raymondcorp.com*